



DBK60™



3-Slot Expansion Module with Termination Panels

Compatibility: ✓ LogBook ✓ DaqBook ✓ DaqLab ✓ DaqScan ✓ DaqBoard/2000 Series

Features

- Customizable panels offer user choice of signal connector types
- Accepts up to three DBK analog expansion cards or three DBK digital expansion cards (not possible to mix digital and analog cards within the same DBK60 enclosure)
- Backplane eliminates the need for a cascading ribbon cable
- Enables easy card installation
- Rugged all metal construction for portable applications
- Attaches to the P1 analog connector or P2 digital connector



The DBK60™ expansion module allows IOtech's data acquisition systems to be expanded with any combination of up to three analog or three digital DBK signal conditioning and expansion cards. Removable termination panels offer the user a choice of connector types including BNC, removable screw-terminal, thermocouple, and safety jack. Each panel includes pre-stripped wires by which the user can connect to any of the three DBK cards installed in the DBK60 enclosure. A user-customizable blank termination panel is also available for custom applications.

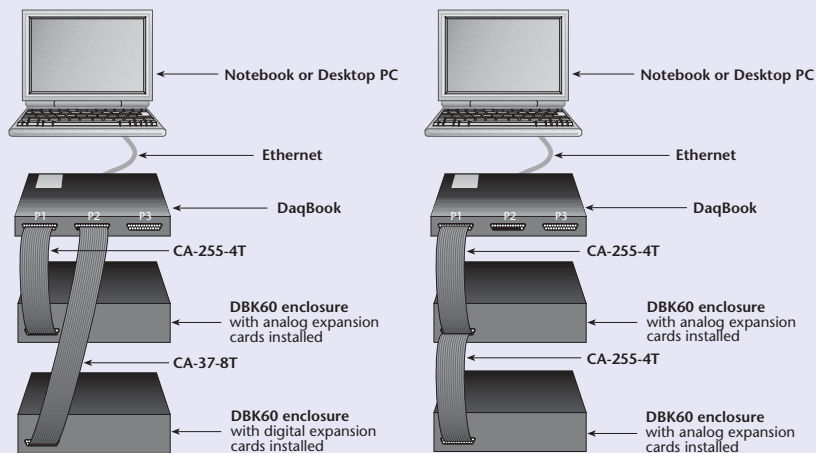
The DBK60's three-card internal backplane eases cabling by bringing all connections out to a single DB37, thus only a single cable is required to attach a DBK60 to a system. Analog and digital DBK cards cannot be mixed within one DBK60 enclosure, and thus a separate enclosure is required for analog or digital cards.

An unlimited number of DBK60 enclosures can be secured to one another, and the metal enclosure features a slide-in drawer for easy access to the DBK cards.

Termination Panels. To complement DBK cards installed in the DBK60 enclosure, users have a choice of seven termination panels that provide a variety of input connectors. The termination panels screw-mount to the rear of the DBK60 chassis, and include the appropriate-style wire to connect each input to an enclosed DBK card.

The DBK60 analog or digital expansion module may be customized with the user's choice of signal connectors

DBK60 Expansion Examples



The DBK60 expansion enclosures can house both analog and digital expansion cards in a DaqBook system (note: it is not possible to mix digital and analog cards within the same DBK60 enclosure)

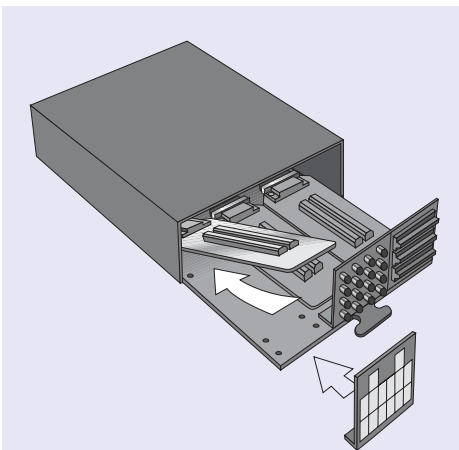
Packaging. The DBK60 can be stacked beneath a data acquisition module. The result is a compact and securely con-

nected data acquisition system that can be conveniently carried from one application site to another.



DBK60™

Specifications & Ordering Information



The DBK60's drawer-style architecture with internal backplane simplifies the installation of up to three DBK signal-conditioning cards

DBK60 Termination Panels



BNC termination panel (DBK602) features 16 BNC connectors



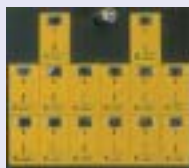
Removable-block screw-terminal termination panel (DBK606) offers 48 convenient connections



Safety-jack termination panel offers 16 connectors (Red and black jack-pairs, DBK604 shown)



Slotted panel with adjustable clamp that holds wires in place (DBK607)



Thermocouple termination panel (DBK605) features 14 connectors for types J, K, and T thermocouples



DB37-style termination panel (DBK608) features three standard 37-pin female connectors

Note: DBK601 and DBK603 not shown.

Specifications

Capacity: Accommodates up to 3 DBK expansion cards; digital and analog DBK cards cannot be mixed within a single DBK60 enclosure.

Material: Aluminum

Finish: Black, powder-coated

Dimensions: 280 mm W x 356 mm D x 89 mm H (11" x 14" x 3.5")

Weight: 3.08 kg empty (7 lbs.); cards 0.25 to 0.75 kg each (8 to 12 oz)

Note: Digital and analog DBK cards CANNOT be mixed within one DBK60 enclosure.

Ordering Information

Description	Part No.
3-slot expansion module with three DBK601 blank termination panels	DBK60
Termination Panels	
Additional blank termination panel	DBK601
16-connector BNC termination panel	DBK602
16-connector red safety-jack termination panel and wiring kit	DBK603
16-connector (8 pairs) red and black safety-jack termination panel and wiring kit	DBK604
14-connector type J thermocouple panel and wiring kit (male thermocouple connector sold separately)	DBK605-J
14-connector type K thermocouple panel and wiring kit (male thermocouple connector sold separately)	DBK605-K
14-connector type T thermocouple panel and wiring kit (male thermocouple connector sold separately)	DBK605-T
48-connector removable-block screw-terminal panel and wiring kit	DBK606
Slotted termination panel with adjustable clamp	DBK607
Three DB37 female connector termination panel and wiring kit	DBK608
5-pin DIN termination panel for use with DBK32A	DBK609

Male Connectors for Subminiature TC Jacks

Description	Part No.
Type J male connectors	CN-144-JM
Type K male connectors	CN-144-KM
Type T male connectors	CN-144-TM

Accessories & Cables

Description	Part No.
Rack mount kit	RackDBK-1
Shielded P1 T cable for use with all DaqBooks, LogBooks, and DaqLabs	CA-255-4T
Ribbon cable for use with DaqScan	CA-37-x

Note: The CA-37-x ribbon cable can also be used in lieu of the CA-255-x molded T cables.

For complete information on accessories and cables, visit www.iotech.com/acc

Related Products

LogBook	p. 75
DaqBook	p. 89
DaqLab	p. 103
DaqScan	p. 108
DBK Board Options	p. 112
DaqBoard/2000 Series	p. 192

* Attachment to the DaqBoard/2000 requires a DBK200, DBK201, DBK202, or DBK203 adapter